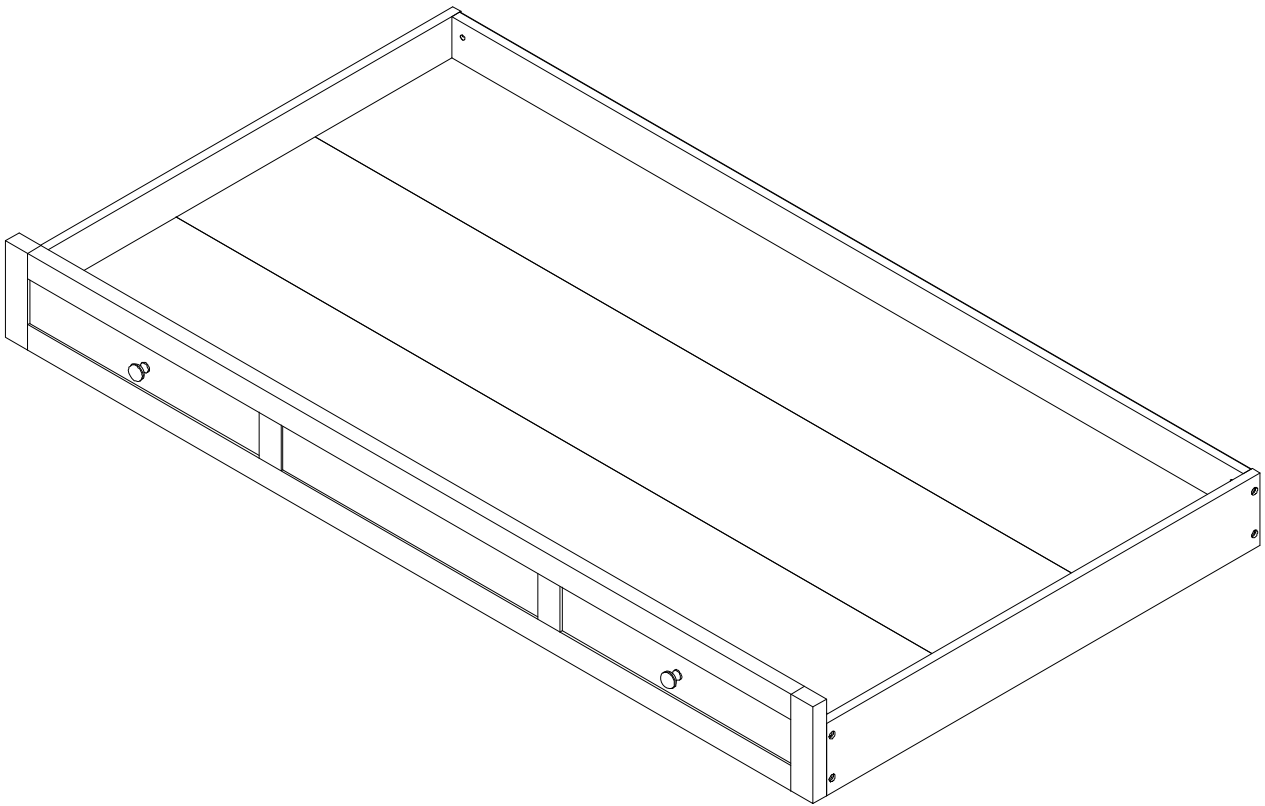




## BEADBOARD DAYBED TRUNDLE

### ASSEMBLY INSTRUCTIONS



**Important Safety Instructions:**

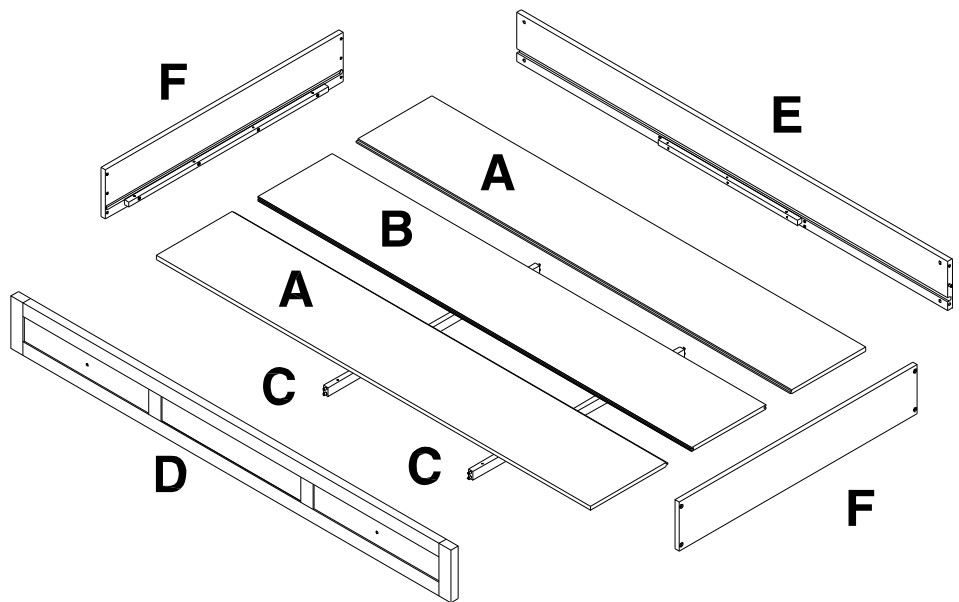
- Please read all instructions carefully before assembling this furniture.
- For your safety, assembly by two or more adults is strongly recommended.
- Keep these instructions for future use.
- Use only vendor-supplied hardware to assemble this item. Using unauthorized hardware could jeopardize the structural integrity of the item.

**Pre-assembly:**


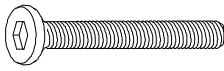
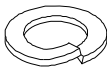






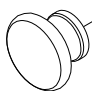
- Remove all parts and hardware from the box. Place them on a carpeted or scratch-free work surface, as this will avoid damaging parts during assembly. The shipping box provides an ideal work surface.
- To avoid accidentally discarding small parts or hardware, do not dispose of any packaging or contents of the shipping carton until assembly is complete.
- Use the parts and hardware lists below to identify and separate each of the pieces included.
- The illustrations provided allow for easier assembly when used in conjunction with the assembly instructions.
- The use of power tools to aid in assembly is not recommended. Power tools can damage the hardware and split the wood.

**Parts Included:**

- (A) Side Bottom Board (2x)
- (B) Center Bottom Board (1x)
- (C) Cross Bar (2x)
- (D) Front Rail (with molding) (1x)
- (E) Rear Rail (1x)
- (F) Short Side Rail (2x)



**Hardware Included:**

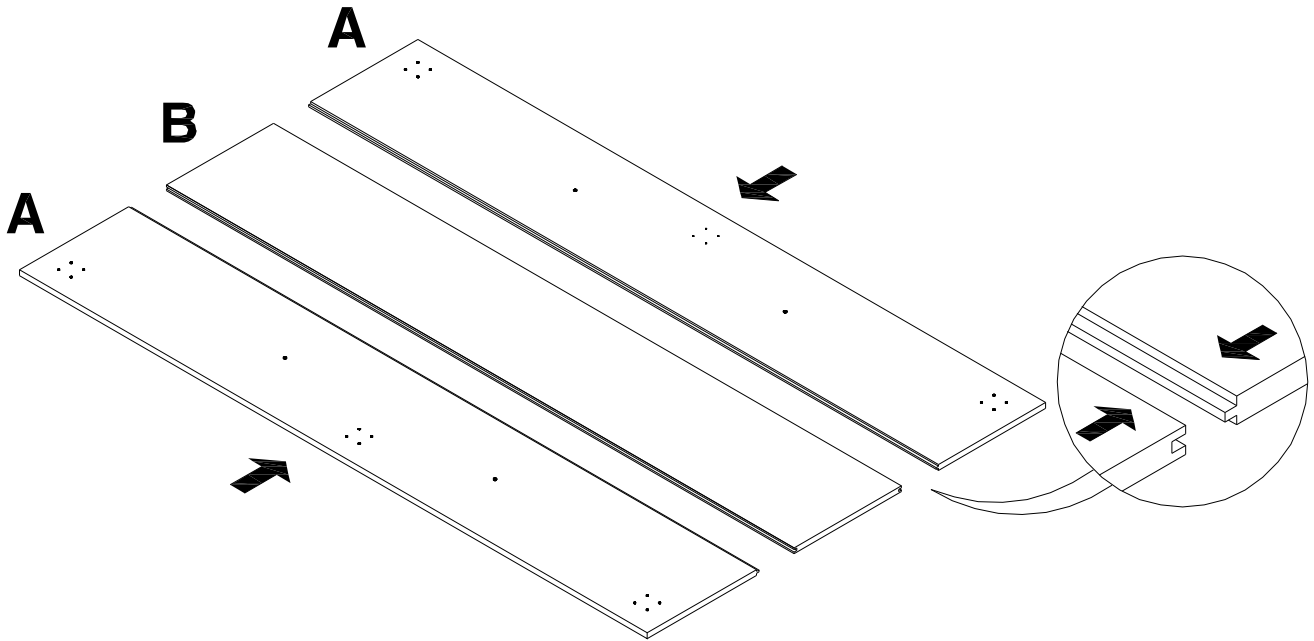
 (G) Allen Key – 1x	 (H) Bolt 1/4"x 60mm – 8x	 (I) Spring Washer – 8x
 (J) Flat Washer – 8x	 (K) Barrel Nut – 8x	 (L) Long Wood Screw 4x30mm – 22x
 (M) Short Wood Screw 4x13mm – 24x	 (N) Caster – 6x	 (O) Machine Screw 5/32"x38mm – 2x
 (P) Knob – 2x		

**Tools Required:**

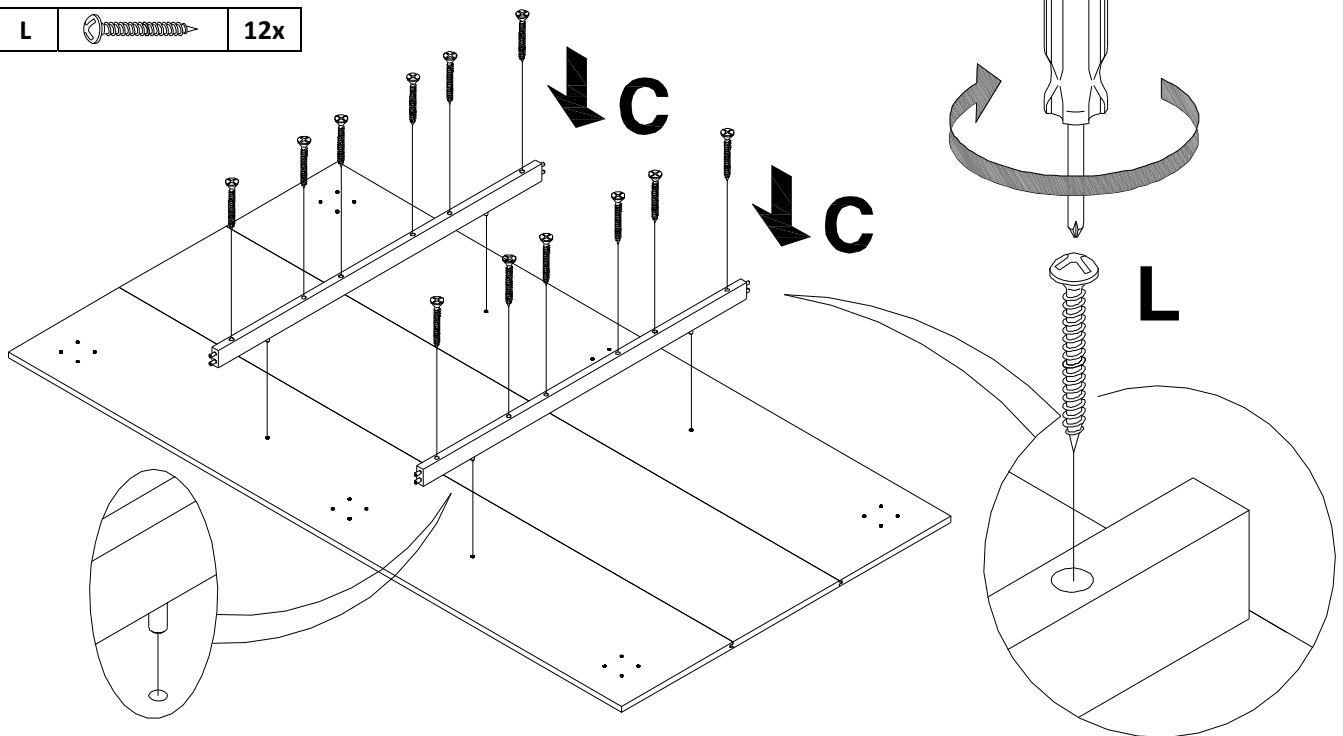
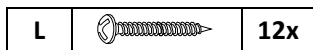
Philips Head Screw Driver  (not included)

### Assembly Instruction Steps:

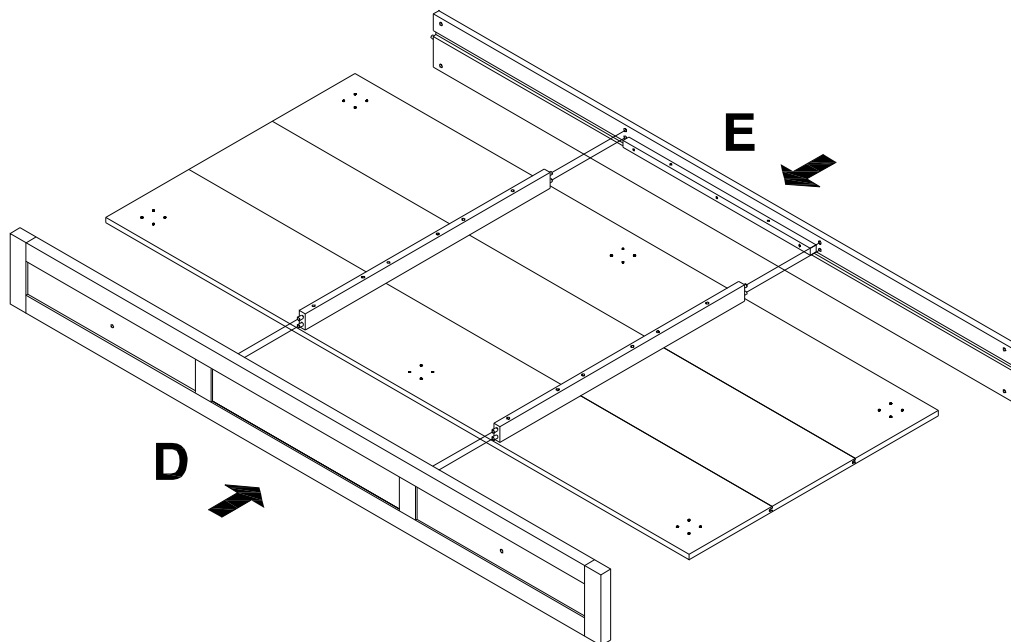
1. Please make sure the bed's side rails are set on the highest level for use with this trundle.
2. Place the Side Bottom Boards (A) on both sides of the Center Bottom Board (B), as seen in the illustration below. Make sure pre-drilled holes on the Side Bottom Boards face up.



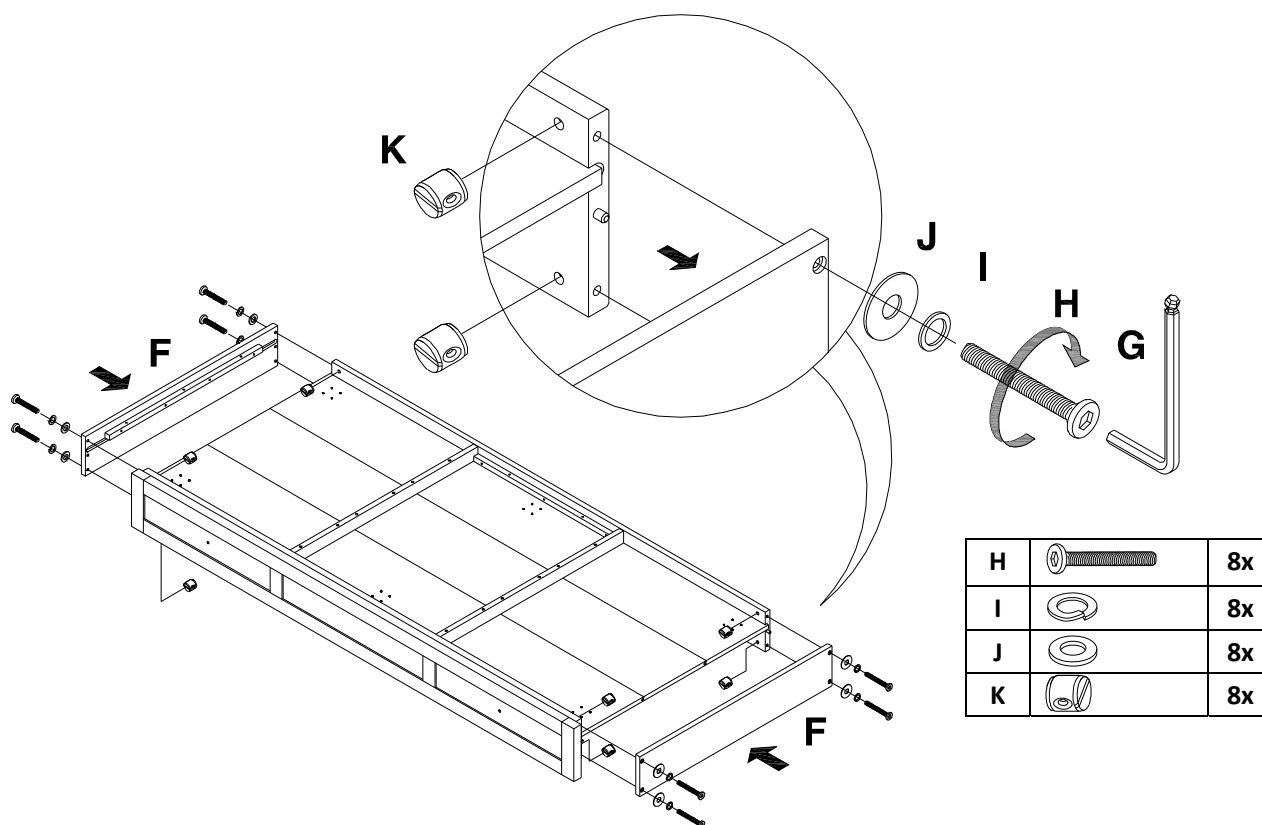
3. Attach the 2 Cross Bars (C) to the Side & Center Bottom Boards (A&B) by aligning the pre-fixed wooden dowels on the Cross Bar (C), to the pre-drilled holes on the Side & Center Bottom Boards (A&B).
4. Secure 6 Long Wood Screws (L) into the pre-drilled holes of each Cross Bar (C).
5. Use a Philips Head Screwdriver to tighten the screws.



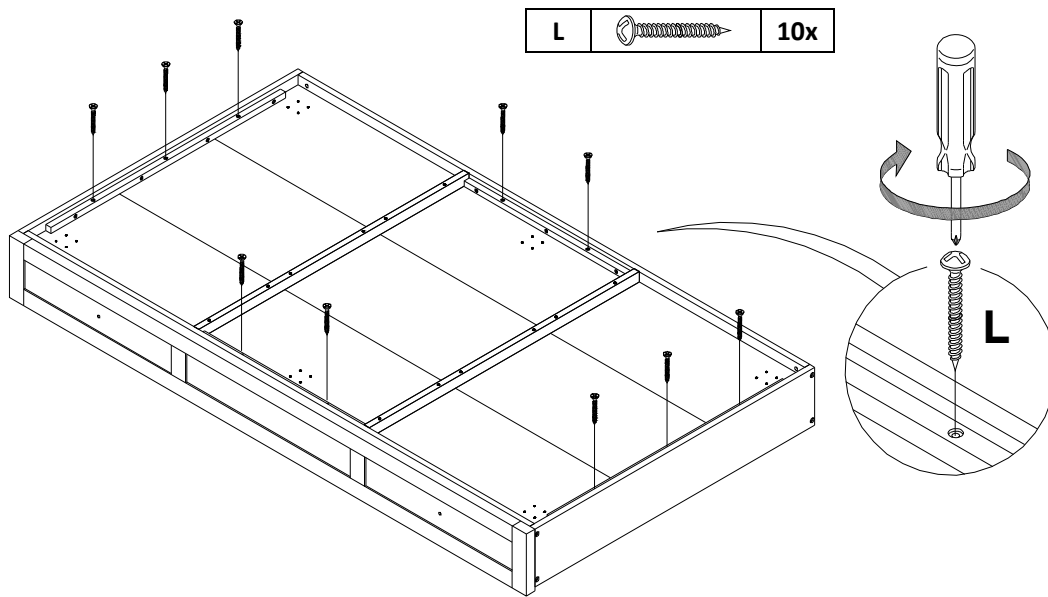
6. Attach the Front Rail (D) and Rear Rail (E) to the assembled Bottom Boards, as seen in the illustration below.
7. Insert the pre-fixed wooden dowels on the ends of the Cross Bars (C) into the pre-drilled holes on the Front and Rear Rail (D&E), as seen in the illustration below.
8. Press firmly to ensure the Side Bottom Boards (A) sit well into the slots of the Front and Rear Rails (D&E).



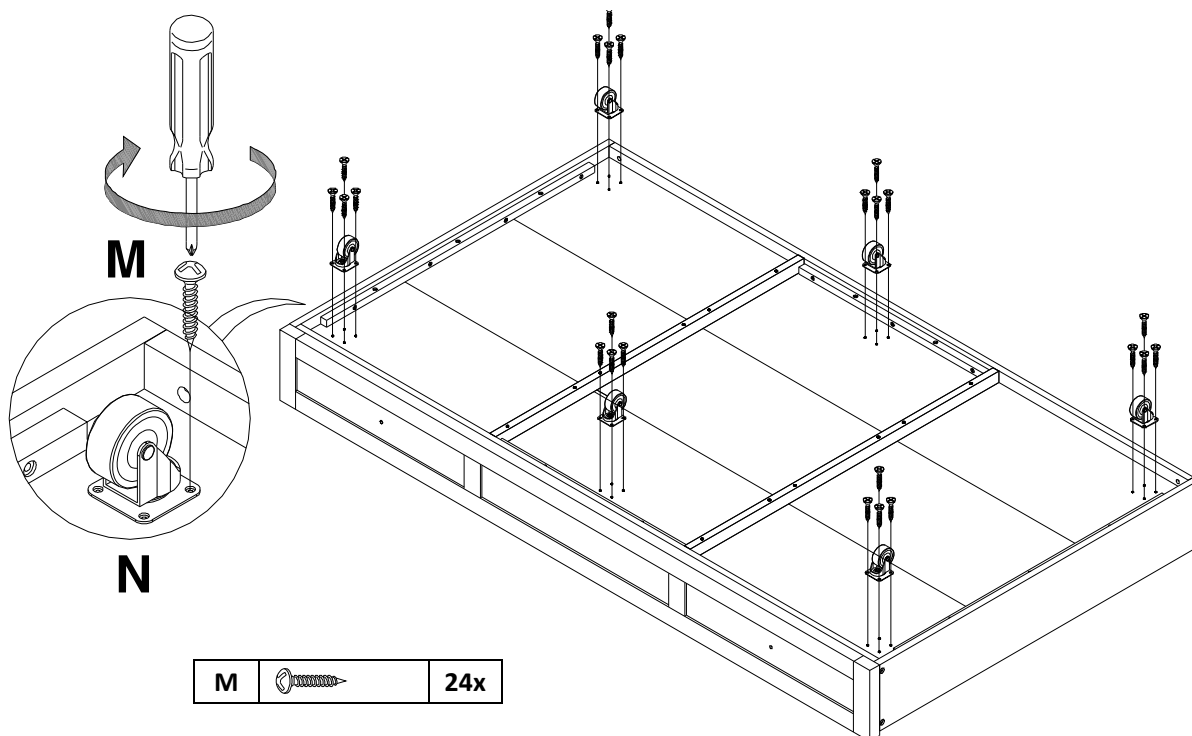
9. Slide a Spring Washer (I) and a Flat Washer (J) onto each Bolt (H).
10. Align predrilled holes on the Short Side Rails (F) to pre-fixed wooden dowels on the ends of the Front and Rear Rails (D&E).
11. Place Barrel Nut (K) into the pre-drilled holes on the Front and Rear Rails (D&E), as seen in the illustration below.
12. Insert (8) Bolts (with Spring Washers and Flat Washers assembled in step #9) into the pre-drilled holes on the end of the Short Side Rail (F), and through the Barrel Nut (K), as seen in the illustration below.
13. Tighten with Allen Key (G). Do not fully tighten the bolts at this time.



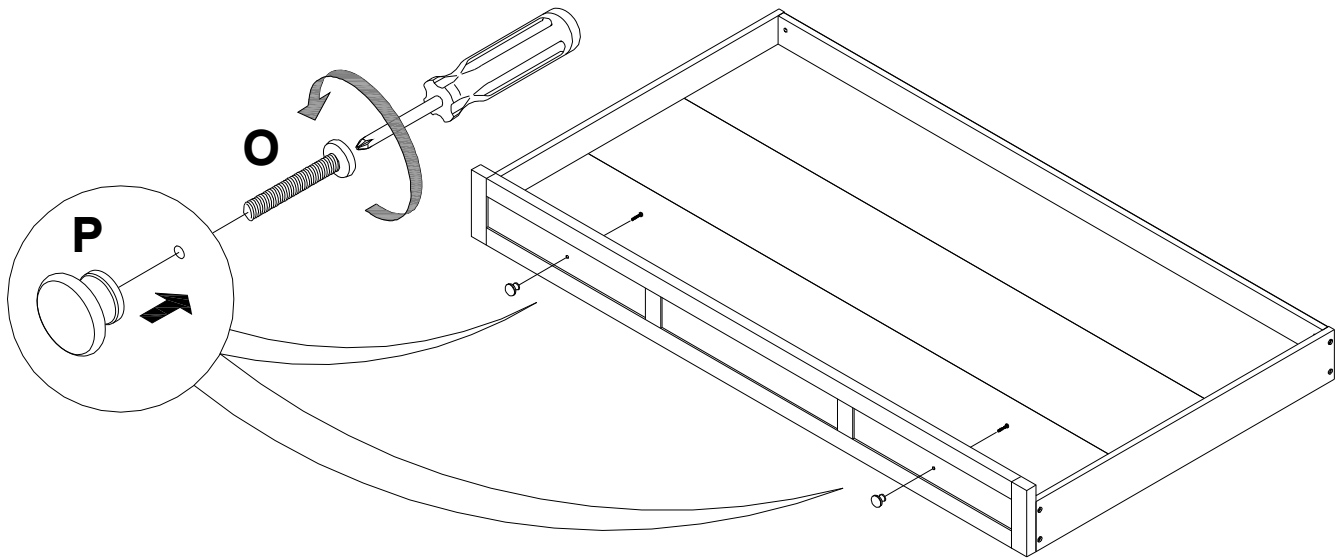
14. Secure the Bottom Boards (A&B) with the Rails (D,E,&F) by inserting the remaining 10 Long Wood Screws (L) into the pre-drilled holes on the wooden cleats, as seen in the illustration below.
15. Tighten with a Philips Head Screwdriver, as shown in the illustration below.



16. Assemble the 6 Casters (N) to the Bottom Boards (A&B) by inserting 24 Short Wood Screws (M) through the holes on the Casters (N) to the pre-drilled holes on the Bottom Boards (A&B).
17. Tighten with a Philips Head Screw Driver (not provided).
18. Check all alignments and tighten all connecting bolts at this time.



19. Align 2 Knobs (P) to pre-drilled holes on Front Rail (D), as seen in the illustration below.
20. Use 2 Machine Screws (O) to secure the knobs from the back of Front Rail (D).
21. Tighten using a Philips Head Screwdriver (not provided). Do not over tighten.



O		2x
P		2x

#### Care Instructions:

- Dust often using a clean, soft, dry, and lint-free cloth.
- Blot spills immediately and wipe with a clean, damp cloth.
- We do not recommend the use of chemical cleansers, abrasives, or furniture polish on our lacquered finish.
- Hardware may loosen over time. Periodically check to make sure all connections are tight. Re-tighten if necessary.